



stops air drafts saving you energy \$\$\$!
reflective shield installs in minutes!
THE ATTIC DOOR COVER THAT PUTS THE LID ON AIR LEAKS

Fireplace Draftstopper™ Installation Instructions



Photo #1: The Fireplace Draftstopper™ kit consists of an inflatable air pillow, an adjustable supporting tee, and complete installation instructions. It seals the fireplace/chimney, preventing energy loss, downdrafts, fumes, etc. It can accommodate any size and shape fireplace.



Photo #2: The Fireplace Draftstopper™ air pillow inflates with just a few breaths. The adjustable height "Tee" is used to install and support the Draftstopper™. Simply install the Draftstopper™ into the fireplace and top off with a few more breaths of air to seal the fireplace.



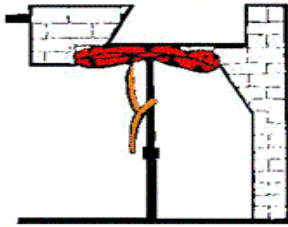
Photo #3: The Fireplace Draftstopper™ pillow is installed inside the fireplace below the damper. It is invisible unless looking up into the fireplace.

The Tee can be removed if desired, and the warning sleeve can be tucked out of the way making the installation totally invisible. The fireplace is sealed preventing heat loss out of the chimney, as well as preventing downdrafts, odors, toxic fumes, insects, noise and pollution from entering the house.

Five "slittable" areas in the pillow can be cut open to accommodate any damper handle. The damper handle passes through the pillow. When inflated, the pillow seals tightly around any penetration!

The Fireplace Draftstopper™ is easily removed when using the fireplace, and easily reinstalled after.

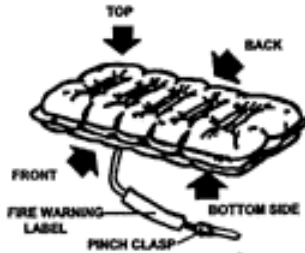
THE FIREPLACE DRAFTSTOPPER™ - THE REUSABLE FIREPLACE WEATHER SEAL



FIREPLACE Davic DraftStopper™

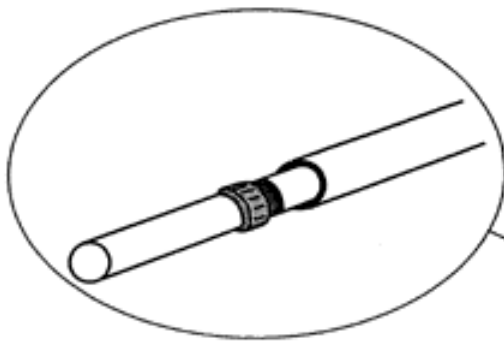
The Reusable Fireplace Weather Seal

Davic DraftStopper™

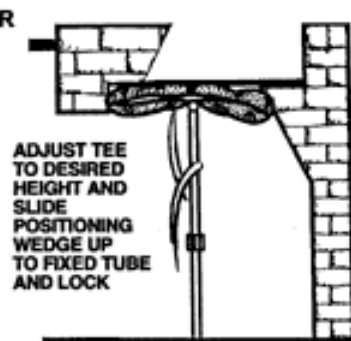
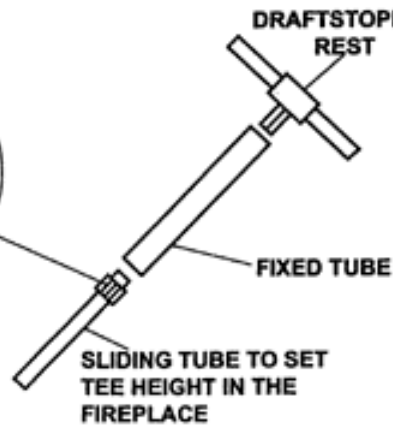


Davic DraftStopper™ TEE

The Tee device is used to provide a quick and clean installation of the Draftstopper. Because the firebox heights vary, the Tee is adjustable and has a locking positioning wedge to allow the Tee to fit your firebox. If the Tee is too long for your firebox, cut the sliding tube with a saw to desirable height.



LOCKING POSITIONING WEDGE



DRAFTSTOPPER INSTALLED



stops air drafts saving you energy \$\$\$!
reflective shield installs in minutes!
THE ATTIC DOOR COVER THAT PUTS THE LID ON AIR LEAKS